

## Middle series models Hankmo 3000 S and 4300 S

The modularity of the middle series allows for a various model collection and equipment customised to match the exact needs of customers. Thanks to their adjustability, the long-bladed models 3000 S and 4300 S can be used either for basic cultivation instead of ploughing or for cultivation. 3000 S has one block and 4300 S are two-blocked.

You can equip your machine either with three or four blade shaft pairs or with three blade shaft pairs and a compacting roller. The tilling performance of the harrows can be adjusted by changing the angle of the blade shaft. Available towable models or models that are coupled to a lifting device.

The one-blocked 3000 S tills and mulches using three or four blade shaft pairs, preparing flat seedbeds on stubble, ploughed areas or minimally tilled soil. The basic model has three shafts. You can add an adjustable compacting roller that prepares the soil for seeding. Alternatively, you can mount a fourth blade shaft with a separate frame element and a hydraulically controllable transport wheel set to the base frame. Hankmo 3000 S with four shafts is towable, and it is towed with a telescopic shaft attached to a tractor's drawbars. The tilling depth can be precisely controlled with the tractor's lifting devices and, depending on the version, with either the transport wheels or compaction roller.



## Heavy duty model 6400 S

The towable Hankmos with three or four consecutive shafts, are excellent for shared use or contractor activity. A compaction roller that evens the soil flat for enough for seeding is available as accessory.



### TECHNICAL DETAILS Hankmo rotary harrows

	320	3000 S	4300 S	6400 S
Working width, cm	320	300	430	640
Steel shafts, pcs	6	6	6	8
Steel grids	47	48	72	136
Power demand, kW/hv	50/68	65/85	96/120	138/180
Weight/kg	510	850	1300	3100-3400
Wheel size	-	-	-	12,5/80-18
Adjustable steel shaft's angle	x	x		
Telescopic shaft			x	x
<b>Accessories</b>				
Transport wheel set	2 wheels	x		
190-15 tyres	4 wheels		x	
Compaction roller		x	x	x
Fourth steel shaft pair 1)		x	x	
Additional weights			x	x

We reserve the right for alterations. (x = available). ) Fourth shaft pair can add power demand, depending on conditions, with about 30%

### TUME-AGRI Oy

**TUME-AGRI Oy**  
Sudenkorventie 1, P.O. BOX 77  
14201 Turenki, FINLAND  
Tel. +358 207 433 060  
Fax +358 3 688 2305

**Machines for Better Farming**  
[www.tumeagri.fi](http://www.tumeagri.fi)

Machines in the brochure, partly with optional accessories  
2000 x 10/2007

# Modular Cultivators Hankmo rotary harrows



## CultiPack

### The Superior Choice for Various Purposes

CultiPack can be used as an independent tilling machine or as a combined seed & fertilizer drill.

The support wheel set of CultiPack is hinged. Lifting the machine from the ground with the tractor's lifter is not necessary at field end turns or during road transport. This keeps steerability unchanged in transport and at field end turns. Moreover, the soil will not get packed, as the weight is not totally transferred on the tractor.





CultiPack is equipped with a draw pin, on which for example a seed fertilizer, such as TUME's Nova Combi, can be coupled using its multi-use drawbar. It is also possible to couple other machines with CultiPack.

Dead weight of the machine has been kept low, because the concave shape of the coulter disc with its aggressive notching and soil-oriented position guarantee a good penetration. When necessary, extra weights can be added inside the frame. When using a machine combination, the drawbar weight of the combined drill is directed onto CultiPack.

The working depth of the tillage elements is adjusted with a pin limiting the working depth of the hydraulically adjustable discs. At field end turns and in transport the discs will be completely raised from the ground, which allows for making turns and transporting the device on the turning wheels. When necessary, the whole cultivator can be raised up to be supported by the tractor's lifter (for instance when reversing). The outside perimeter of the discs is notched which enhances tilling and penetration of vegetable remains.



### Extremely Handy at Field End Turns

CultiPack with a combined drill is a handy solution that is easy to use. On CultiPack, the draw pin for the seeding machine is located rather far at the back, which means that on the field end turns the seeding machine will precisely follow the tractor line. You can easily uncouple CultiPack from the seed drill, so it is not necessary to pull it along when it is not needed in sowing. Coupling the CultiPack is as easy as uncoupling.



### TUME CultiPlus

#### A Robust Combination for Tilling

Tume CultiPlus is a new modular hybrid cultivator, ideal when you want to replace ploughing with a slightly lighter soil preparation, like minimum tillage. During autumn season, and also in the spring on moist soils, CultiPlus can be used before drilling, enabling you to get a finished seedbed in one pass! The machine is driven through one hydraulic valve of the tractor.



#### TECHNICAL DETAILS TUME CultiPack

	3001 DD	4001 DD
Working/transport width, mm	3000	4000
Number of discs x 460 mm (left/right)	10/11	14/15
Tyre size	7,00 X 12 AS	7,00 X 12 AS
Weight, kg	ca. 1270 kg	ca. 1710 kg
Hydraulic connections	1 dual function	1 dual function



We reserve the right for alterations.

#### TECHNICAL DETAILS

	CultiPlus 3000 complete	CultiPlus 4000 complete
Length (assembled)	6,0 m	6,0 m
Working width	3,0 m	4,0 m
Transport width	3,0 m	4,0 m
Total weight	ca. 2400 kg	ca. 3050 kg
Power requirement	120–150 hv	150–200 hv
Working depth, cultivator section	ca. 50–170 mm	ca. 50–170 mm
Working depth, coulter discs	ca. 0–120 mm	ca. 0–120 mm
Depth adjustment, also during driving	yes	yes
Press wheel tyre size	7.00-12 tr. pattern	7.00–12 tr. pattern
Alternative tyre size	685/190R-15	685/190R-15
Number of support wheels	10 pcs	14 pcs
	<b>Cultivator section 3000</b>	<b>Cultivator section 4000</b>
Weight	ca. 1000 kg	ca. 1250 kg
Number of tines	7 pcs	9 pcs
Blade width	480 mm	480 mm
Working method	Cutting through	Cutting through
Stone releasing mechanism	Automatic	Automatic
Hydraulic connections	1 dual function	1 dual function
Support wheels	–	Optional

We reserve the right for alterations.



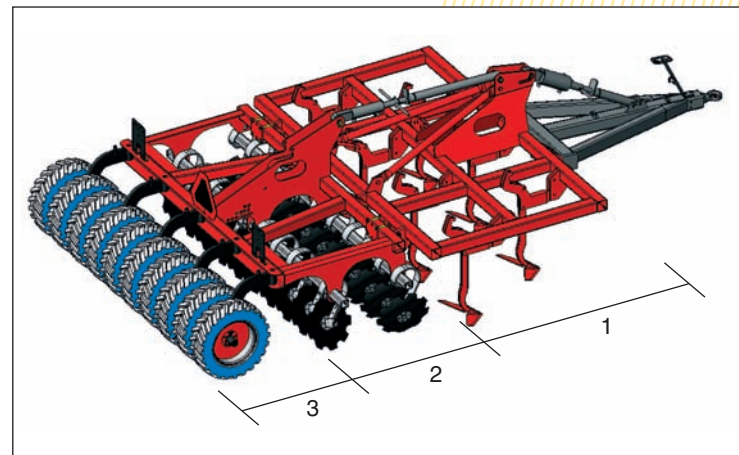
## Soil Preparation in Correct Order

The operation of CultiPlus hybrid cultivator is based on tillage elements placed in the correct order. (see illustration below)

Section 1: Coultter knives that effectively cut through the soil bed and mix the vegetable remains, equipped with 480 mm-wide tines. The tines have an adjustable automatic release function. The working depth can also be accurately adjusted.

Section 2: The coultter disc section that earthes over vegetable remains, cultivates to the desired depth, and levels the soil surface.

Section 3: Compacting section with rubber press wheels that are also used as transport wheels. The wheels press the soil optimally for sowing. This also prevents erosion of the soil.



## Make a Machine Combination Suitable for your Conditions

If you already have a CultiPack, you need only the cultivator section and a drawbar to couple a CultiPlus. A TUME JC, Vega, or Nova Combi seeder fertilizer is also a natural part of the machine series that provides you with extensive benefits. All of these models are fully compatible with the set of multipurpose Tume machinery.

# HANKMO

## Individual Superiority in Rotary Harrows

The superior performance and the excellent adjustability are testimony of the decades of experience we have in tilling.

Hankmo rotary harrows can be adjusted according to the needs of the user. Our nearly century-long experience in European cultivation is packed in this partly modular model series. The working widths of Hankmos vary between 3.0 metres and 6.4 metres.



## Less Packed Soil

The sharp blades easily penetrate the ground, packing the ground much less than disc harrows. The packing effect of the tractor will be only half from normal, and the block will be ready in one pass.

## Hankmo 320

The output of the Hankmo 320 spade harrow, renowned for its excellent ability in manure mulching, can be adjusted by adjusting the angle of the blade shafts. It can be used as a general harrow on topsoil and on fine sand having good moisture properties. With additional weights, Hankmo 320 can also be used in stubble tilling of light soils.

